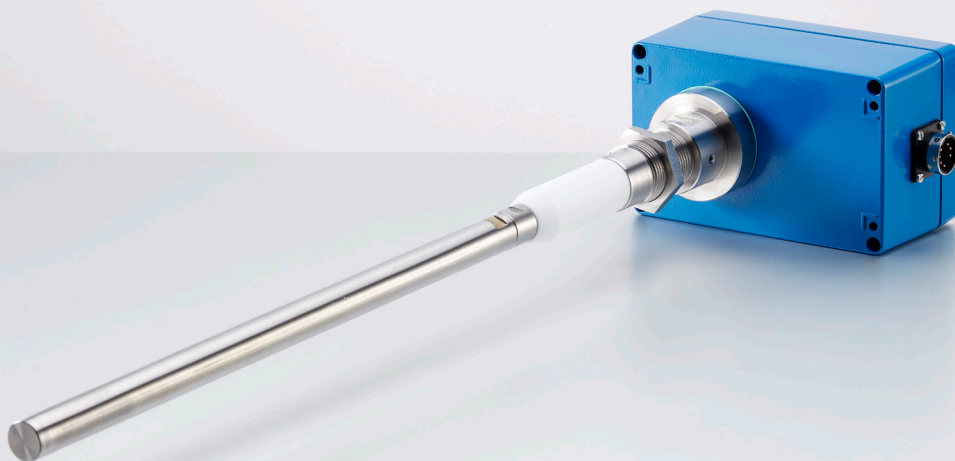


D-FW **Filter monitor**

Monitoring of the efficiency and function
of filters and filter systems

- In-situ measurement method and continuous dust measurement
- Qualitative dust measurement for function monitoring of filters
- Single-sided installation on duct



Features

- No moving parts and robust design
- Easy commissioning, adjustment and maintenance without PC
- No purge air required
- Can be used in a flue gas pressure range of up to 500 hPa
- Installation on one side of stack without alignment

Benefits

- Compact solution with small housing and low system costs
- Space-saving design
- Easy installation and commissioning
- Low operating costs
- Suitable for harsh flue gas pressure conditions

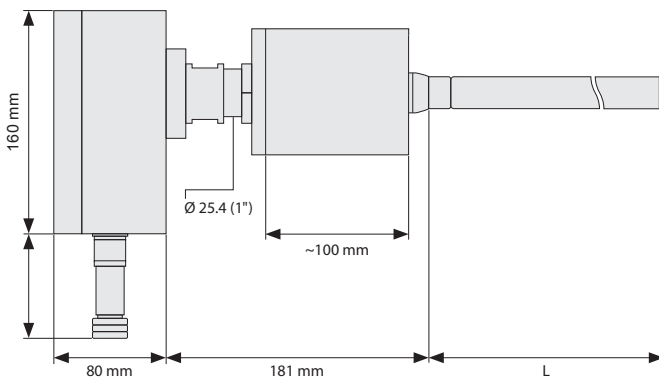
Technical data

Measuring principle	Triboelectric, in-situ measurement, single-sided installation
Measuring variable	Dust load (qualitative)
Flue gas dust mass concentration	1 ... 25 to 20 ... 400 mg/m ³
Operating conditions in duct	<ul style="list-style-type: none"> • Temperature: -20 ... +200 °C, optional 500 °C for D-FW 231 • Relative humidity: 20 ... 80% • Relative pressure: -500 ... +500 hPa • Flow velocity: 7 ... 40 m/s
Duct dimensions	Min. inner diameter: 0.15 m
Electrical data	18-36 VDC; 0.2 A

* Only in conjunction with weather protection hood

Ambient conditions	<ul style="list-style-type: none"> • Installation location: Indoor or outdoor installation* • Temperature: -20 ... +50 °C
Degree of protection	IP 65
Interface	<ul style="list-style-type: none"> • Analog output: 1x 4 ... 20 mA, max. 500 Ω • Digital input: 2x transistor input for zero point check, signal integration
Connections	12-pin standard plug-in connector, size 14
Operation and display	Operating unit D-FW 230 B
Explosion protection	ATEX (D-FW 240 EX): <ul style="list-style-type: none"> • II 2 G EEx d ib IIC T6 • II 2 G/D EEx d ib IIC T6 tD A21 ibD 21 IP 65 T 105 °C

D-FW 231 | DIMENSIONS FOR STANDARD APPLICATIONS



L = Length of sampling tube: 80 mm, 250 mm, 400 mm, 700 mm, 1,000 mm; available for D-FW 231 and D-FW 240/Ex.

D-FW 240/Ex | DIMENSIONS FOR POTENTIALLY EXPLOSIVE ATMOSPHERES

